

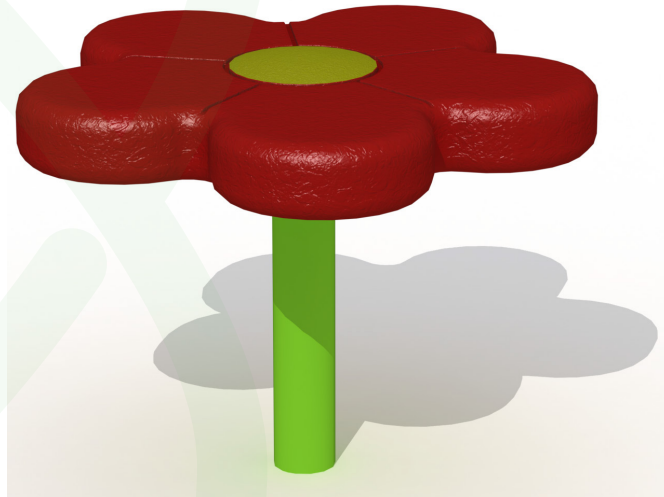


**PLAYGROUNDS**

PLAYGROUND FURNITURE

# FLOWER

Ref.  
PF8802|105



## Product Information

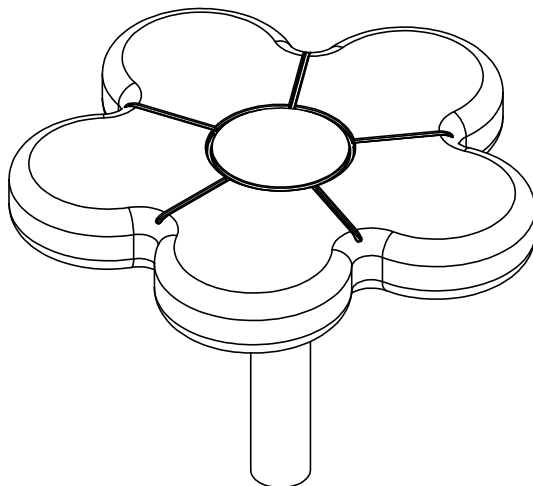
Product type	Playground Furniture
Certification	EN-1176
Dimensions	0.55 x H 0.4 m (length x width x height)

## Technical Information

	Maximum fall height	<b>0.60 m</b>
	Security zone	- m <sup>2</sup>
	Number of children	<b>1</b>
	Concrete required	No surface fixation available
	1 PERSON	-1.5 HOURS
	<b>3-10 YEARS</b>	

## Product Description

This flower shaped equipment is made out of coloured recycled rubber and may be placed on paved ground or grass. It is suitable for children aged 3 to 10. The flower is available in red, green and blue, every time with a yellow central dot. All metal parts are treated against rust.



### DIMENSIONS

**L** : 540 cm  
**Br**: 540 cm  
**H** : 400 cm

### Materials

Coloured recycled rubber  
All metal parts are treated against rust and polyester coated

COUNTRY OF ORIGIN

